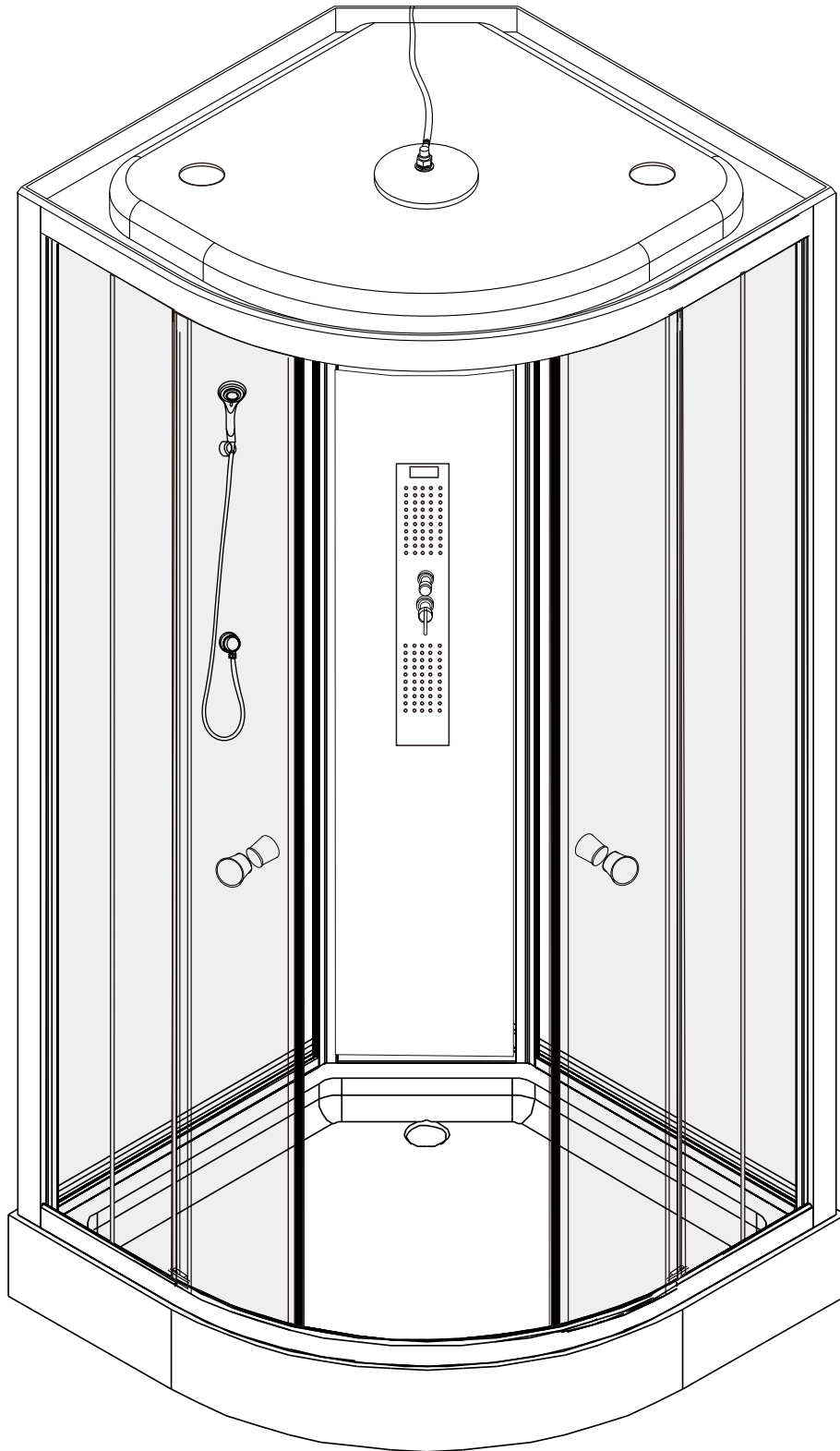
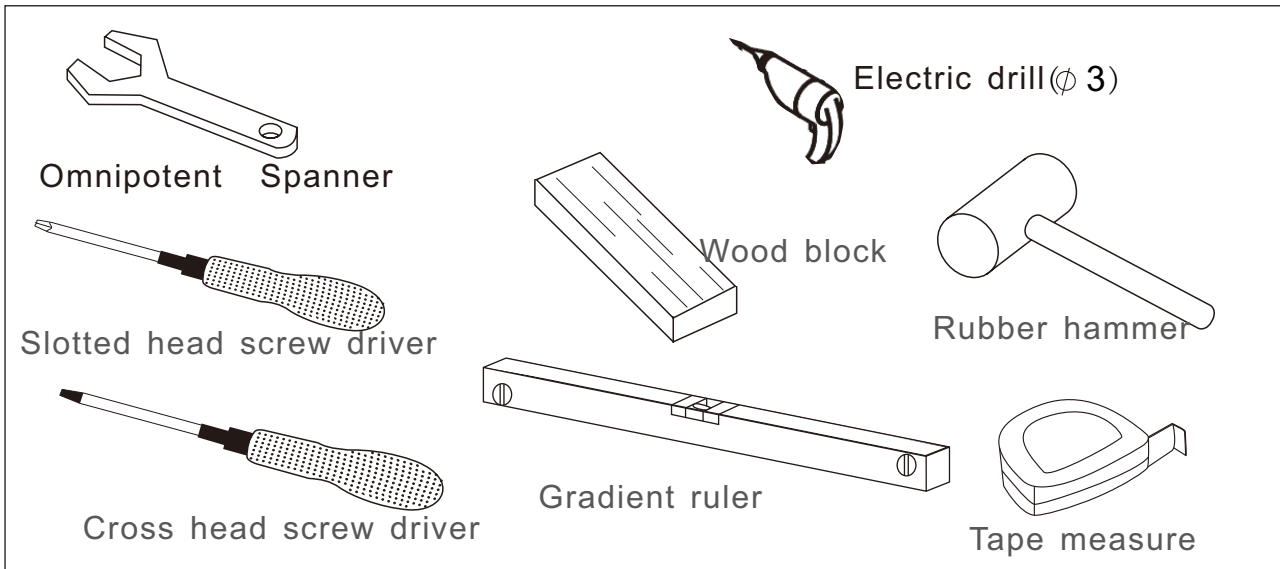


INSTALLATION MANUAL

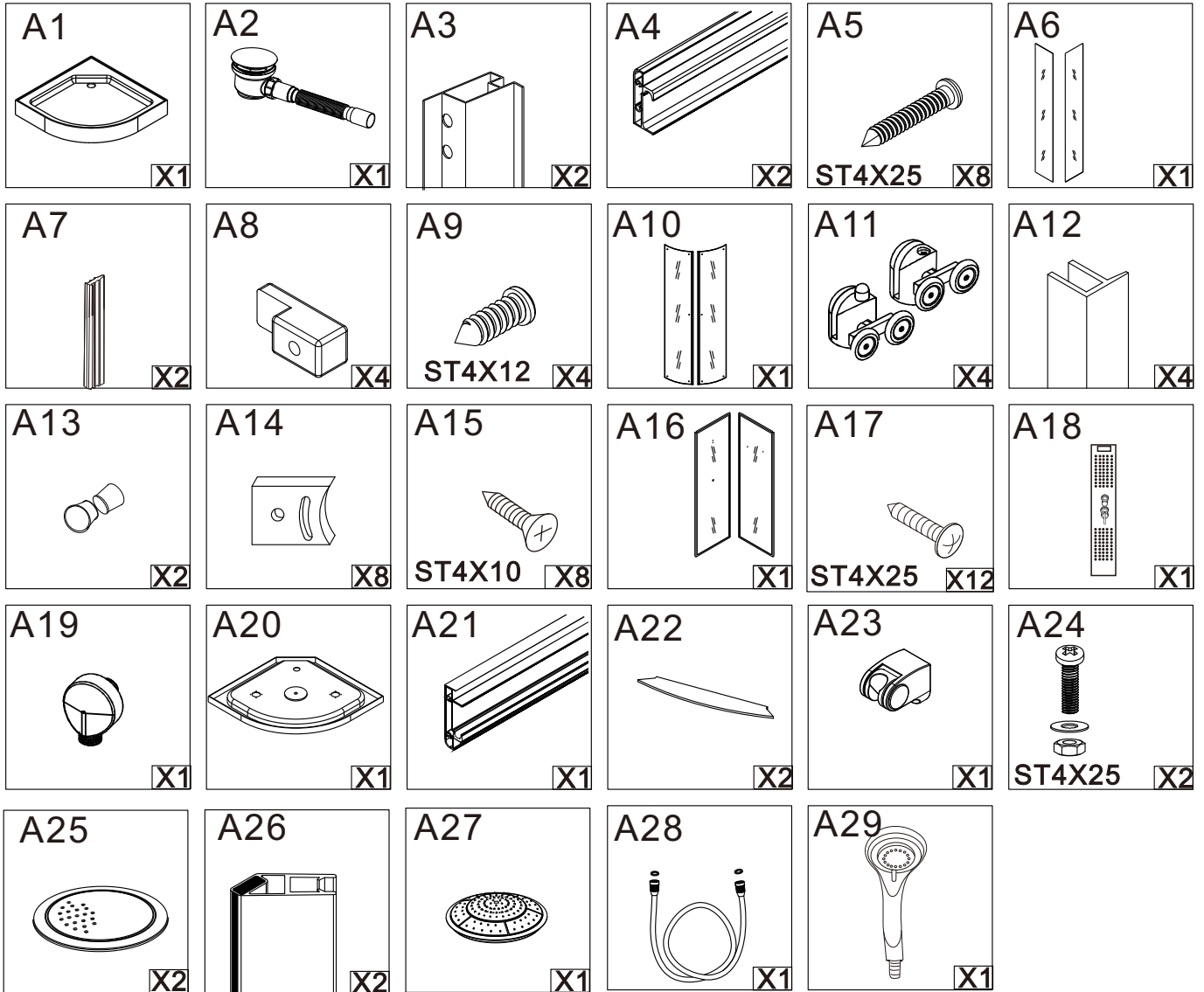


806E

INSTALL TOOL



MATERIL DETAIL



Water Arrangement Map

